

# Single Ended Beam Load Cell LHC

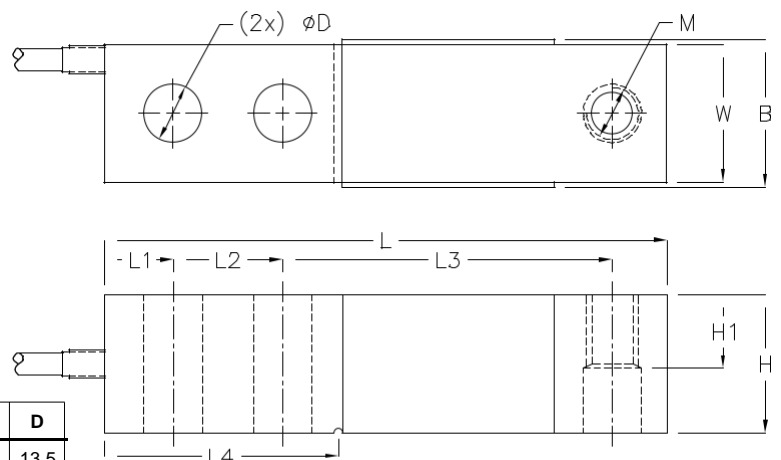
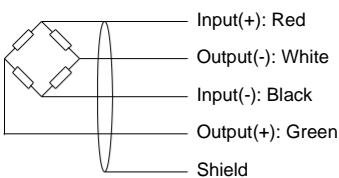


- Type:** Single Ended Beam
- Material:** Alloy Steel
- Surface:** Nickel Plated Treatment
- Protection:** IP 67
- Features:** Low Profile  
Anti-Explosion
- Application:** Pallet Scales  
Hopper Scales  
Process Weighing  
Food Industries  
Overhead Track

## Specifications:

	t	0.5 / 1 / 1.5 / 2 / 2.5 / 3 / 5 / 10	
		C3	C5
<b>Capacity</b>			
<b>Accuracy Class</b>	$n_{max}$	3000	5000
<b>Max. Number of Verification Intervals</b>	$V_{min}$	$E_{max}/10000$	$E_{max}/20000$
<b>Minimum Load cell Verification Interval</b>	%FS/10°C	$\leq \pm 0.0165$	$\leq \pm 0.0090$
<b>Temperature Effect on Zero</b>	%FS/10°C	$\leq \pm 0.0137$	$\leq \pm 0.0110$
<b>Temperature Effect on Sensitivity</b>	%FS	$\leq \pm 0.0200$	$\leq \pm 0.0140$
<b>Combined Error</b>	%FS	$\leq \pm 0.0165$	$\leq \pm 0.0148$
<b>Creep</b>			
<b>Output Sensitivity</b>	mv/v	$3.0 \pm 0.01$	
<b>Input Resistance</b>	$\Omega$	$350 \pm 5$	
<b>Output Resistance</b>	$\Omega$	$351 \pm 3.5$	
<b>Insulation Resistance</b>	M $\Omega$	$\geq 5000$	
<b>Zero Balance</b>	%FS	1.0	
<b>Temperature, Compensated</b>	°C	-10 ~ +40	
<b>Temperature, Operating</b>	°C	-30 ~ +70	
<b>Excitation, Recommended</b>	v	5 ~ 15(DC)	
<b>Safe Overload</b>	%FS	150	
<b>Ultimate Overload</b>	%FS	300	
<b>Standard Cable Length</b>	m	4 (0.5 ~ 2t), 6 (2.5 ~ 10t)	

## Dimensions:



CAP.(t)	L	L1	L2	L3	L4	H	H1	W	B	M	D
0.5-2	130	15.8	25.4	76.2	54.2	31.8	15.8	31.8	34	M12x1.75	13.5
2.5-5	171.5	19.1	38.1	95.3	77.2	38.1	18.8	38.1	40	M18x1.5	19.8
10	222.3	24.5	50.8	120.7	101.6	50.8	25.4	50.8	52.4	M24x2	26